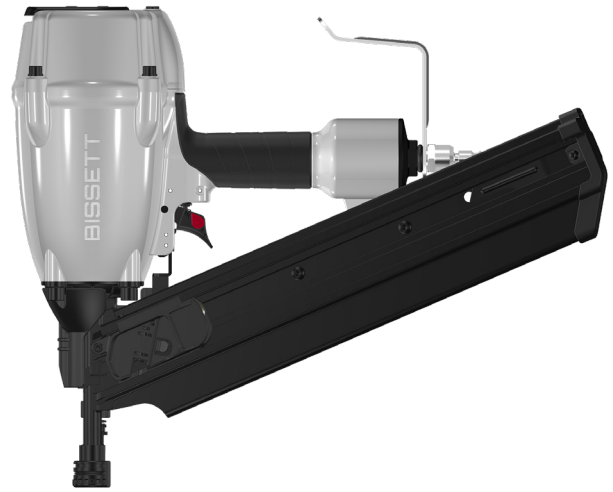


BT-SN2890

28° Framing Nailer
Wire Weld or Paper Collated

Tested for Canadian weather extremes. The BT-SN2890 is light weight, powerful, and built to last. Recessed steel exhaust cap ready for those little stud adjustments on the fly.



POWER	1000@120
WEIGHT	7 lbs
HEIGHT	13-3/8"
FASTENER LENGTH	2" - 3-1/2"
FASTENER DIAMETER	.113 - .131
FASTENER ANGLE	28 °
FEATURES	<ul style="list-style-type: none">• 6 Year Limited Warranty• Cold Weather Tested• Best In Class Power:Weight• 2 Function Trigger• Dryfire Lockout• Depth Adjustment• Steel Head Guard Design• Rafter Hook• 360 D Air M Style Fitting• Serrated Nose Piece, with two special aversion claws for better toe nailing• No Mar Pad, to protect the workpiece, plus storage compartment for no mar-pad