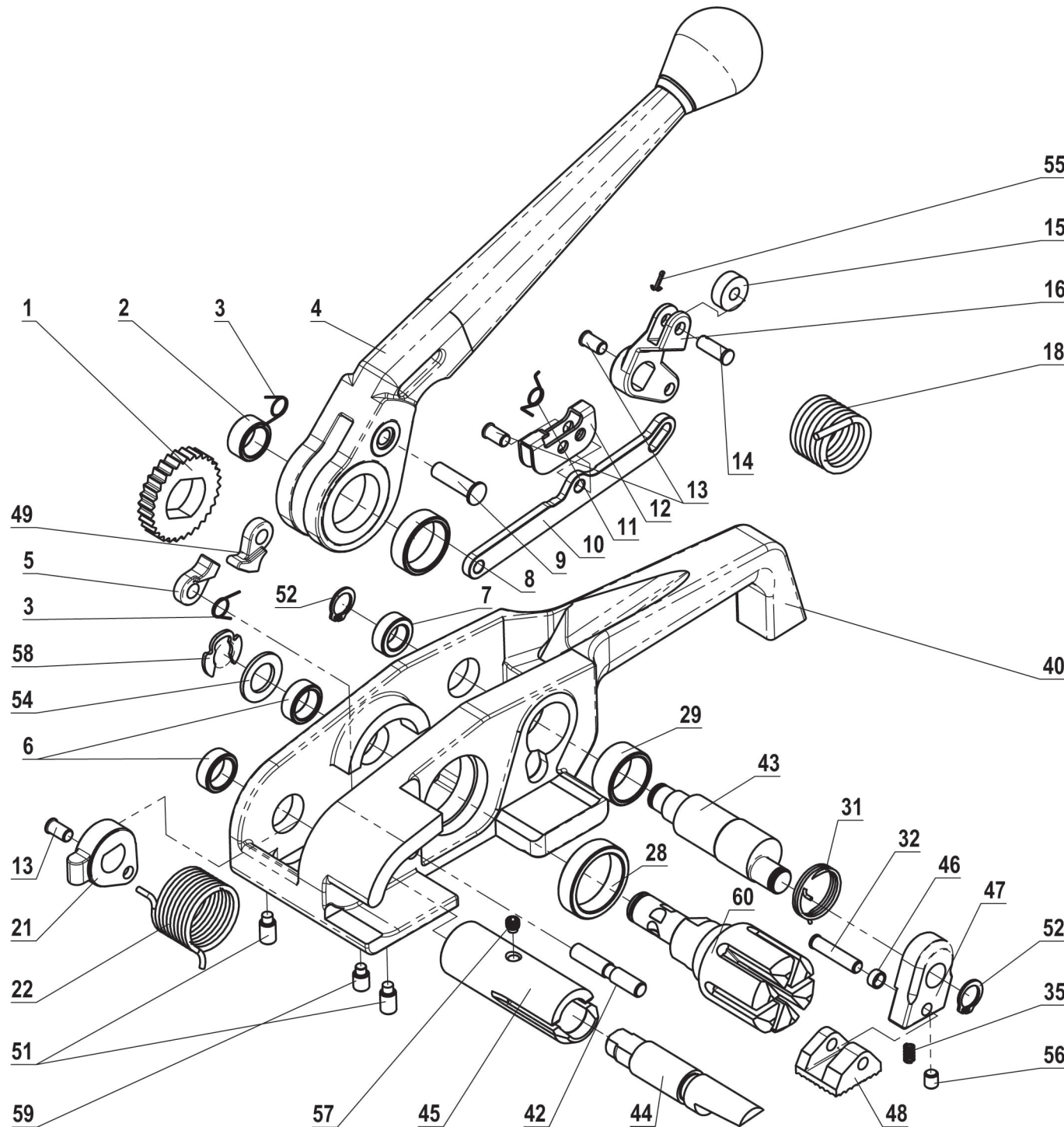


MUL-325 Heavy Duty Tensioner for Woven/Composite Cord Strapping



KEYNo	DESCRIPTION	QTY.
325-01	RATCHET WHEEL	1
325-02	HANDLE BUSHING, SMALL	1
325-03	TENSION PAWL SPRING	2
325-04	HANDLE	1
325-05	TENSION PAWL	1
325-06	SIDE BUSHING	2
325-07	ECCENTRIC BUSHING, SMALL	1
325-08	HANDLE BUSHING, LARGE	1
325-09	HANDLE PIN	1
325-10	ARM	1
325-11	ARM SPRING	1
325-12	ARM PAWL	1
325-13	PIN	3
325-14	ROLLER PIN	1
325-15	ROLLER	1
325-16	LEVER	1
325-18	LEVER SPRING	1
325-21	CUTTER PIVOT LINK	1
325-22	CUTTER SPRING	1
325-28	WINDLASS BUSHING	1
325-29	ECCENTRIC BUSHING, LARGE	1
325-31	GRIPPER SPRING	1
325-32	GRIPPER FOOT SHAFT	1
325-35	GRIPPER FOOT SPRING	1
325-40	FRAME	1
325-42	STRAP ROLLER SHAFT	1
325-43	ECCENTRIC SHAFT	1
325-44*	CUTTER	1
325-45*	CUTTER HOUSING	1
325-46	GRIPPER FOOT BUSHING	1
325-47	GRIPPER BODY	1
325-48	GRIPPER FOOT	1
325-49	TENSION PAWL	1
325-51	SET SCREW M6X12 DOG POINT	2
325-52	RETAINING RING 10	2
325-54	WASHER	1
325-55	COTTER PIN	1
325-56	GRIPPER FOOT SCREW	1
325-57*	SET SCREW M5x5	1
325-58	KLIPRING 7/16"	1
325-59	SET SCREW M6x10 DOG POINT	1
325-60	WINDLASS	1

* PART OF THE CUTTER ASSEMBLY, ORDER PART № 325-50