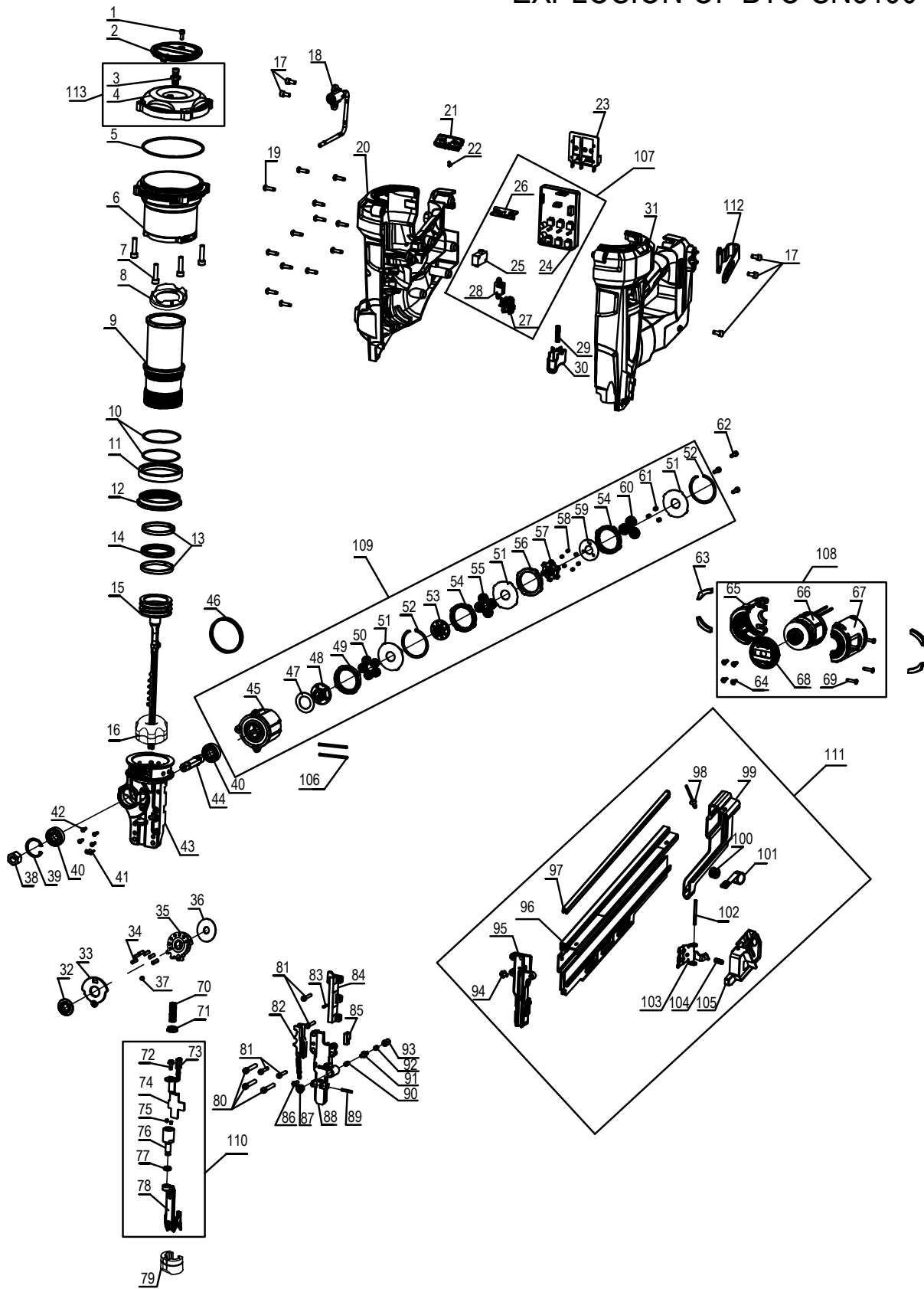


EXPLOSION OF BTC-SN3190



ITEM	PARTS NO	PARTS NAME
1	BTP5043010104100100	Screw M4x10
2	BTP504201060100	Housing Cover
3	BTP503101023400	Valve
4	BTP5041020003600	Chamber Cover
5	BTP5043050002800	O-ring 92x2.5
6	BTP5041020003700	Chamber
7	BTP5043010003000	Screw M6x25
8	BTP5042010560	Cylinder Cover
9	BTP5041040014400	Cylinder
10	BTP5043050004700	O-ring 55x1.8
11	BTP504305007300	Bumper
12	BTP5041040015700	Anti-loosen Member
13	BTP5042010005100	Guide Ring
14	BTP5042030002600	X-ring 40.64x5.33
15	BTP503101023500	Piston Assy
16	BTP504203008200	Bumper (B)
171	BTP504301005600	Screw M5x10
18	BTP503101030800	Rafter Hook Assy
19	BTP504301003400	Screw ST4.2x16
20	BTP503102032300	Right Housing
21	BTP5042010004400	Operator Panel
22	BTP504301009100	Screw ST2.9x6.5
23	BTP5042040045	Battery Connector
24	BTP50420100058	PCB Support
25	BTP5044020031	Trigger Switch
26	BTP5031020310	Operator PCB
27	BTP5031020251	Micro Switch Assy
28	BTP5031020309	Lift Sensor Assy
29	BTP5041040202010200	Spring (A)
30	BTP504201032100	Trigger
31	BTP5042020041G00	Right Housing
32	BTP5041040010000	Plate (A)
33	BTP5042010011000	Plate (B)
34	BTP5043060036	Pin 5x14
35	BTP5041030002400	Lifter
36	BTP5041010363	Washer (A)
37	BTP5041040009900	Magnet 5x4
38	BTP504303001200	Nut M12x1.25
39	BTP504304004300	Retaining Ring 28
40	BTP5043090000800	Bearing
41	BTP5043010145	Screw ST2x10
42	BTP5043010103080100	Screw M3x8
43	BTP5041020003802	Frame
44	BTP5041040014500	Shaft
45	BTP504102006600	Gear Box
46	BTP504203012600	Bumper ©
47	BTP504101015800	Washer (B)
48	BTP504105009800	Carrier (A)
49	BTP504105007400	Inner Ring Gear (A)
50	BTP504105007300	Planet Gear (A)
51	BTP504101016000	Washer ©
52	BTP504304004700	Retaining Ring

ITEM	PARTS NO	PARTS NAME
53	BTP105007200	Carrier (B)
54	BTP504105006800	Inner Ring Gear (B)
55	BTP504105006900	Planet Gear (B)
56	BTP504105007500	Lock Ring
57	BTP504105007100	Carrier ©
58	BTP504306002500	Pin 4x4.5
59	BTP504101015900	Washer (D)
60	BTP504105006700	Planet Gear ©
61	BTP504309001700	Needle Bearing
62	BTP504301008900	Screw M4x14
63	BTP504305007500	Bumper
64	BTP5043010087	Screw ST3.5x9.5-F
65	BTP5042010317	Right Motor Housing
66	BTP50330200021	DC Motor
67	BTP5042010318	Left Motor Housing
68	BTP5042010291	Motor Cover
69	BTP50430103041601	Screw ST3.5x16-F
70	BTP504311005300	Spring (B)
71	BTP504201032200	Spring Base
72	BTP504301008800	Flange Screw M4x10
73	BTP5042030004000	Bumper
74	BTP5041010005800	Pushing Lever (A)
75	BTP504307000400	Plunger
76	BTP5041040015201	Thumb Wheel
77	BTP504203011000	Retainer
78	BTP5041030002800	Pushing Lever (B)
79	BTP503101062000	Sheath Assy
80	BTP5043010105300100	Screw M5x30
81	BTP504301014000	Screw M4x22
82	BTP503101061900	Slider Assy
83	BTP504306003000	Pin 3x10
84	BTP5041030002502	Slider Rail
85	BTP504305007400	Bumper (F)
86	BTP5043010104120100	Screw M4x12
87	BTP5041040015000	Flange Cover
88	BTP5041030002702	Upper Plate
89	BTP5043060001500	Spring Pin 3x18
90	BTP50411005000	Spring ©
91	BTP5041040014700	Rod
92	BTP504311005100	Spring (D)
93	BTP5041040014800	Sleeve
94	BTP5043010105060100	Flange Screw M5x6
95	BTP5041030002600	Lower Plate
96	BTP5041060001600	Magazine
97	BTP5041010006500	Nail Rail
98	BTP504302000400	Rivet 5x8
99	BTP5042010014200	Magazine Support
100	BTP504104037300	Roller
101	BTP50411006800	Coil Spring
102	BTP504306002900	Spring Pin 3x40
103	BTP5041010005600	Pusher
104	BTP5041040018020200	Spring (D)

ITEM	PARTS NO	PARTS NAME
105	BTP5042010009900	Pusher Support
106	BTP5041040164010100	Pin 3x50
107	BTP503102014302	Controller
108	BTP5031020158	DC Motor Assy
109	BTP503101019200	Gear Box Assy
110	BTP503101024700	Depth Adjust Assy
111	BTP5033040003300	Magazine Assy
112	BTP5041010372	Belt Hook
113	BTP5031010621	Chamber Cover Assy